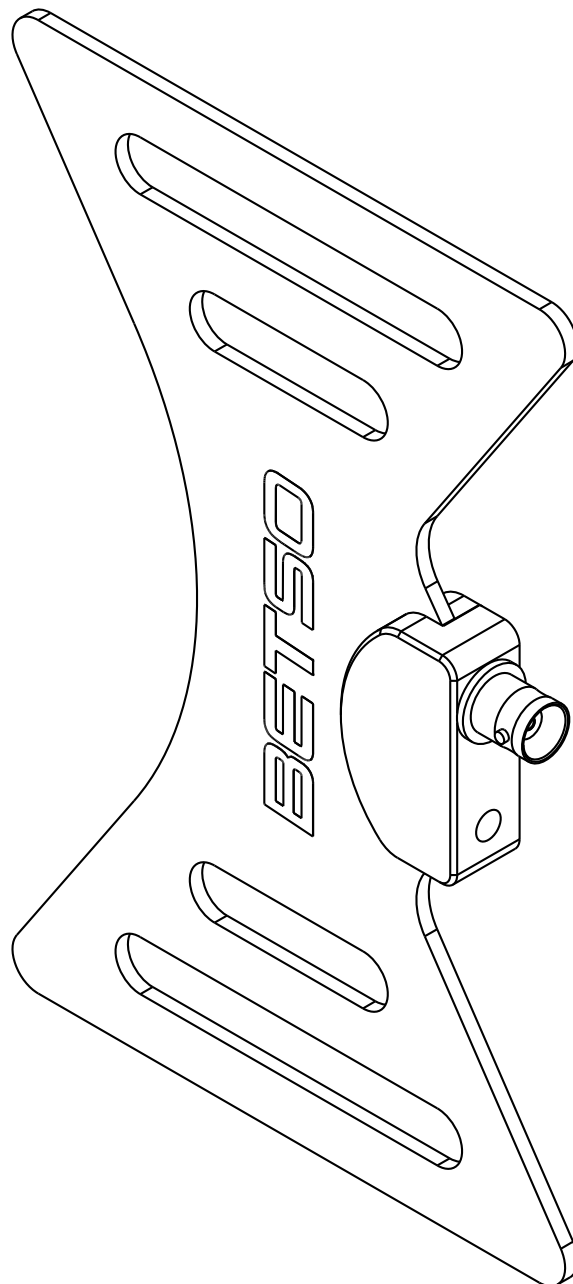


BOWTIE

Wideband omnidirectional antenna designed for use on a sound bag



Contents

1. Recommended accessories.....	3
2. Safety instructions.....	3
3. Technical specifications.....	3
4. EC Declaration of conformity.....	4

Used symbols



Indicates text that has only informative character. If you overlook this information, it can't result in product damage by it's mishandling.



Indicates text that has important instruction character. If you overlook this information, it may result in product damage not covered by warranty.

Thank you that you have purchased the product BETSO!

Please pay sufficient attention to the following user manual of your new product BETSO. Following these instructions, you will avoid the possible damages of your new device and at the same time, they will be presented to you all the available features that allow you to take advantage of the potential of the product.

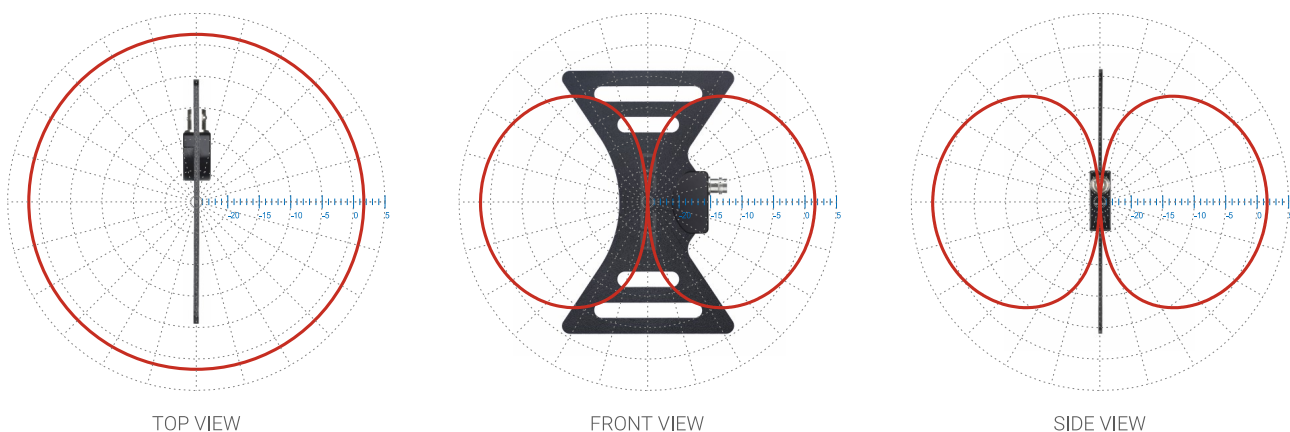
For the latest informations about our products BETSO please contact your local distributor or visit our website <http://www.betso.eu>.

1. Recommended accessories

For the latest informations about our products BETSO please contact your local distributor or visit our website <http://www.betso.eu>.

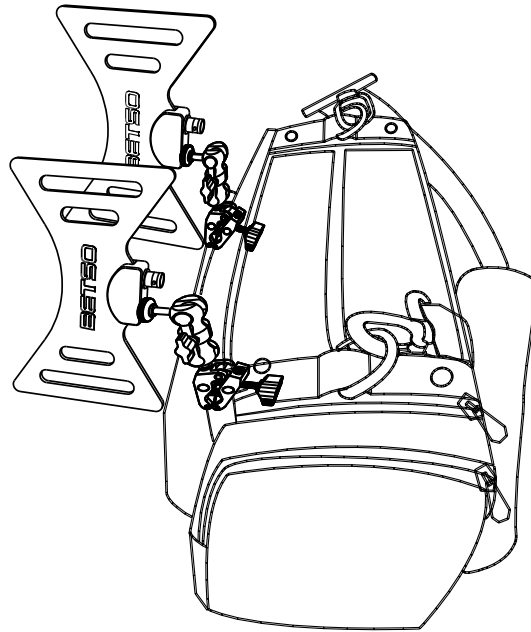
2. Polarization of the antenna

To get the best RF performance, use BOWTIE antennas in the right orientation on the sound bag.



Polar pattern of the BOWTIE antenna

The right orientation on the sound bag



3. Safety instructions



To clean the device, use a dampened piece of cloth. Never use any chemical solvents!

4. Technical specifications

Antenna type	Passive
Frequency range	470 MHz to 700 MHz
Inbuilt filter	low pass 700 MHz
Antenna structure gain	1.8 dBi (@ 600 MHz)
Antenna directivity	as a dipole
Antenna polarization	Linear
Antenna VSWR	Excellent < 1.2 (@ 600 MHz)
Mechanic construction	CNC milled, anodized aluminium alloy and glass-reinforced epoxy laminate
Mounting	1/4" thread
Dimensions (h x w x d)	170 x 111 x 14 mm (6.7" x 4.4" x 0.55")
Weight	approx. 76 g (0.2 lb.) without holder and cable

5. EC Declaration of conformity



BETSO ELECTRONICS s.r.o.

Ke Drackam 1603, 156 00 Praha 5 - Zbraslav, Czech Republic

Reg. Number: 28955706

declares that this device

BETSO BOWTIE

specification: Wideband omnidirectional antenna designed for use on the sound bag

frequency range: 470 – 700 MHz

conforms to the essential requirements of the following applicable European Directives and their associated norms:

Directive 2001/95/EC (General Product Safety)

EMC Directive: 2014/30/EU

RoHS: 2011/65/EU

Conformity assessed via Annex III. using a Technical Construction and Results of measurements.

January 2020

A handwritten signature in blue ink, appearing to read 'J. Zastera', is written over a faint, light blue grid background.

Ing. Jan Zastera

general manager

E-mail: zastera@betso.eu